

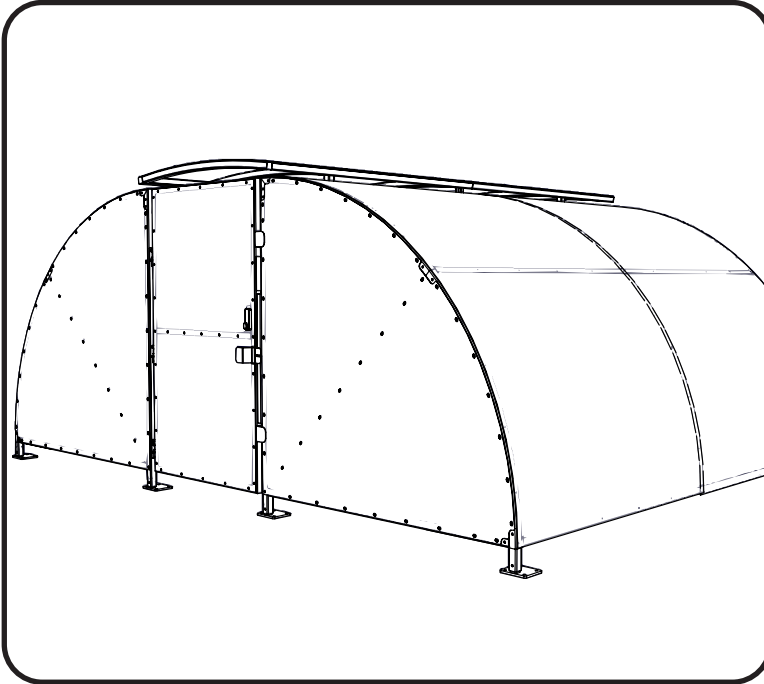
Echelon™ Corral

Installation and Maintenance Instructions

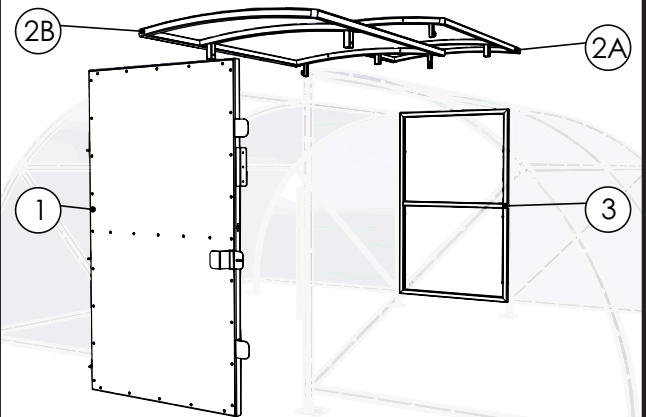
IMPORTANT NOTE: ENSURE THAT ALL RELEVANT PERSONNEL READ THESE INSTRUCTIONS PRIOR TO USE

Please also refer to the 'Manual Handling Operations Regulations 1992' during the handling of the product and materials used for installation. Glasdon recommends that a full Health and Safety analysis is carried out prior to installation.

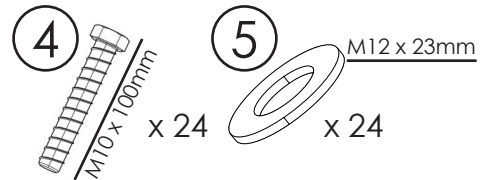
IMPORTANT NOTE: WE STRONGLY SUGGEST WATCHING THE ECHELON CORRAL ASSEMBLY VIDEO AT WWW.GLASDON.COM/ECHELON-CORRAL-COMPOUND READING THIS INSTRUCTION LEAFLET.



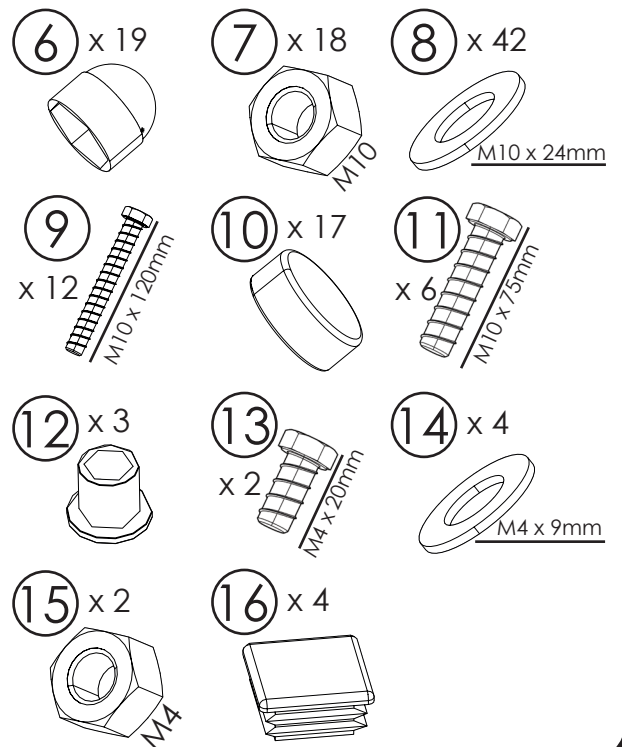
Corral Kit Contents



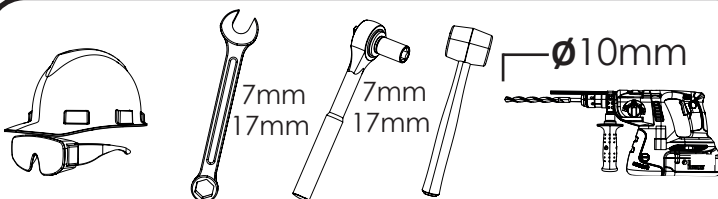
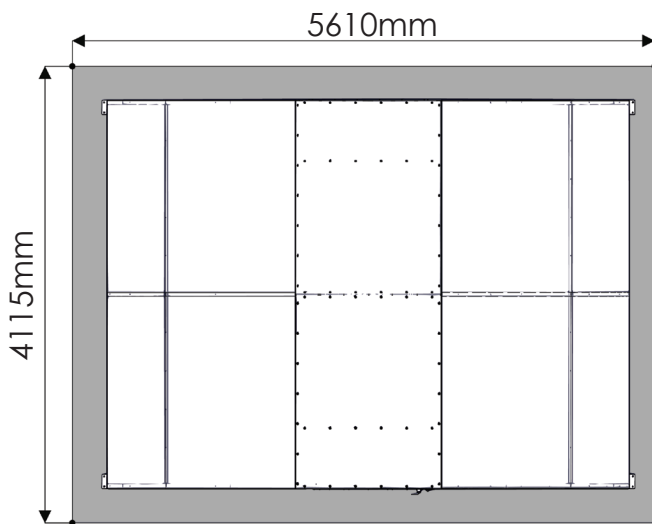
Ground Fixings



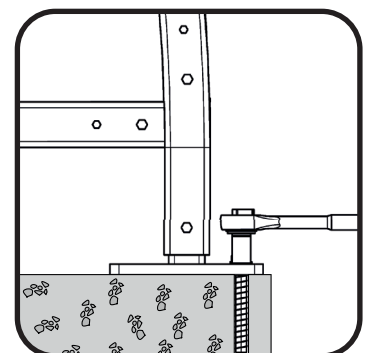
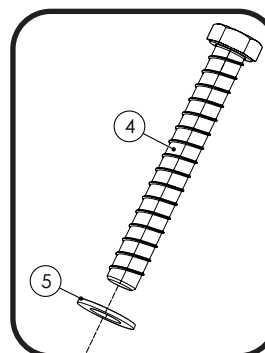
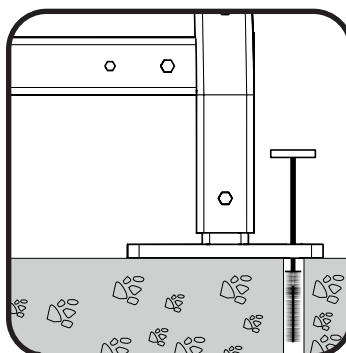
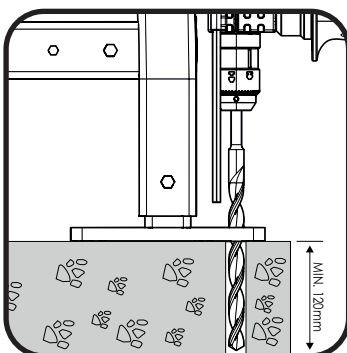
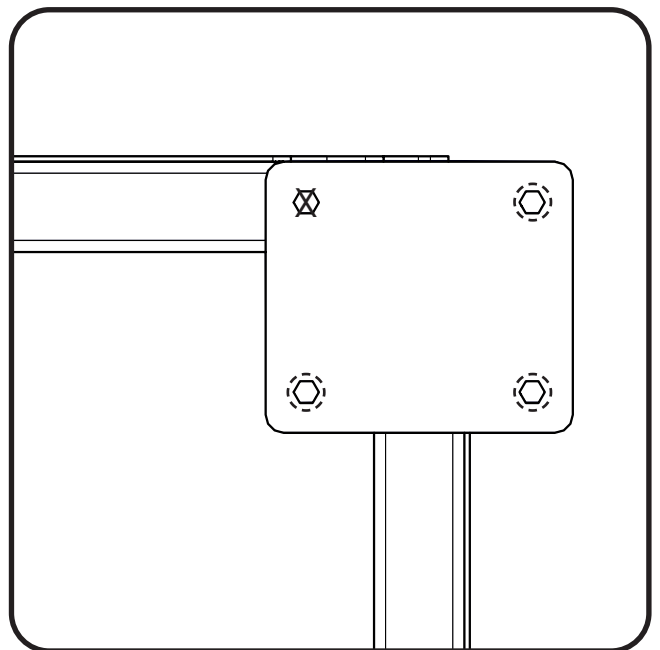
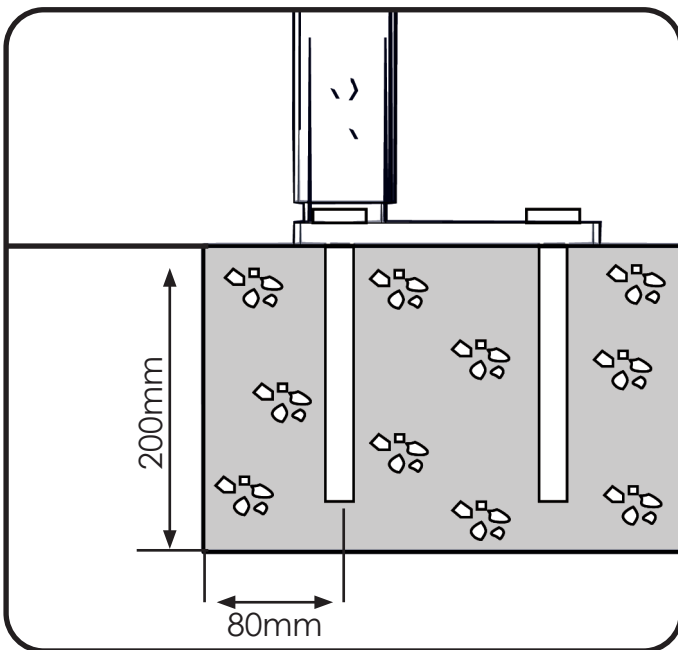
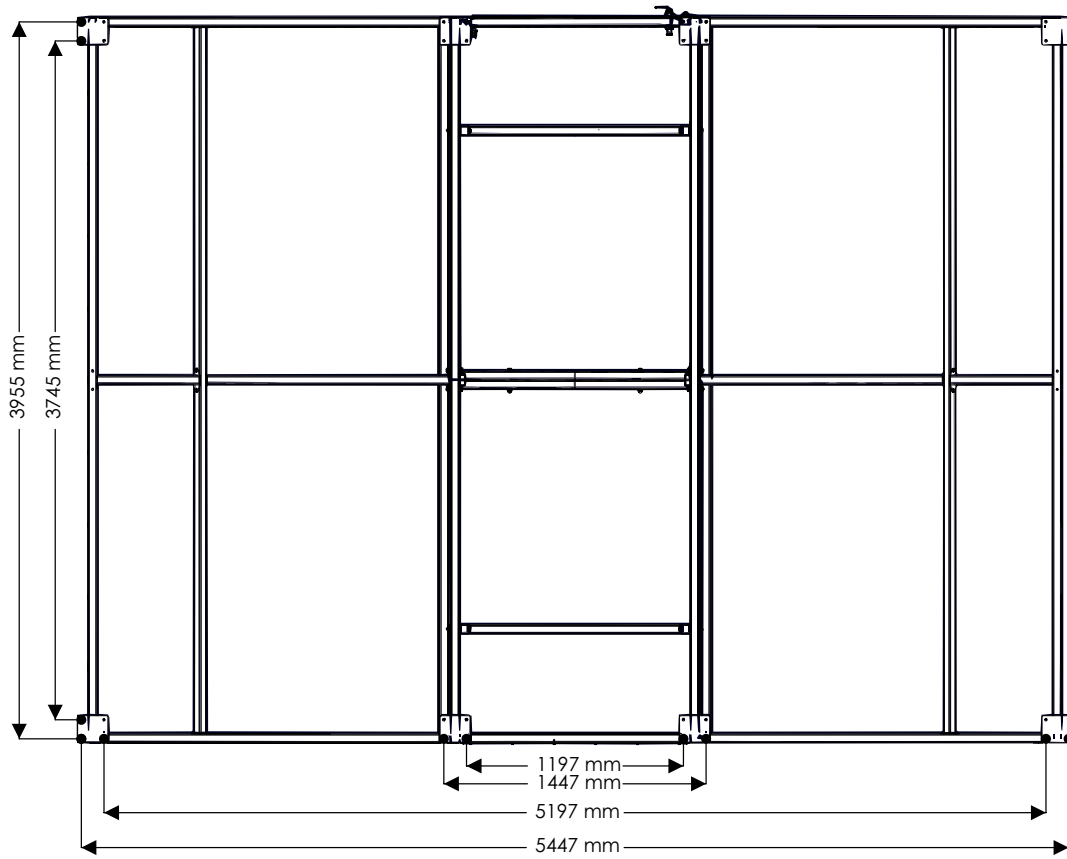
Construction Fixings



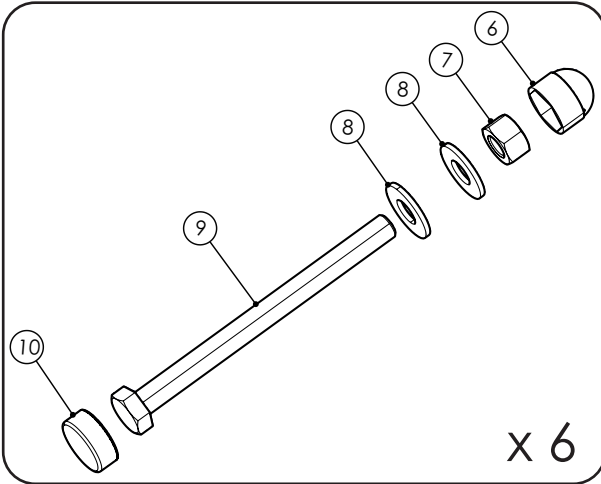
Concrete Foundation



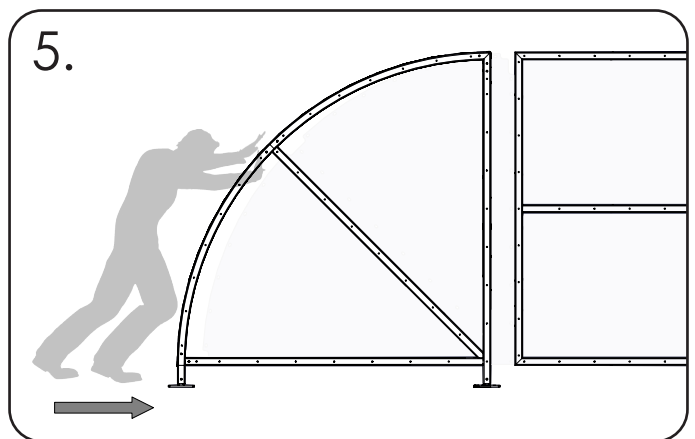
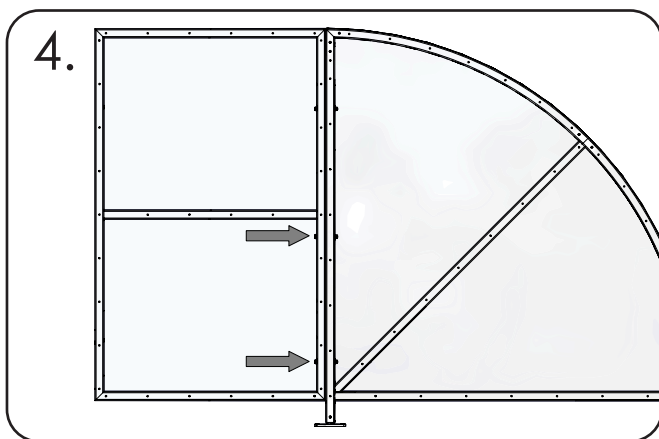
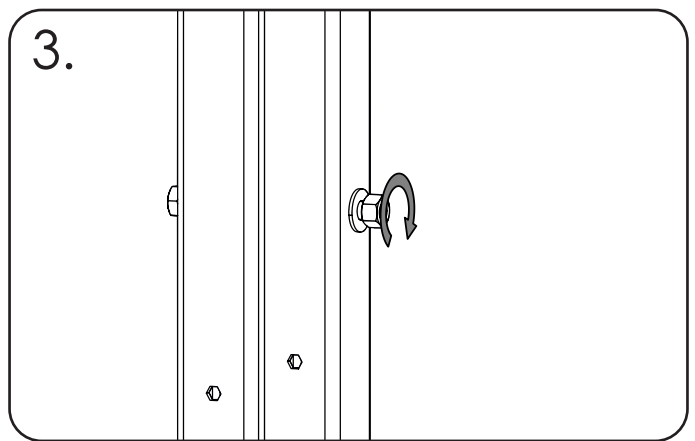
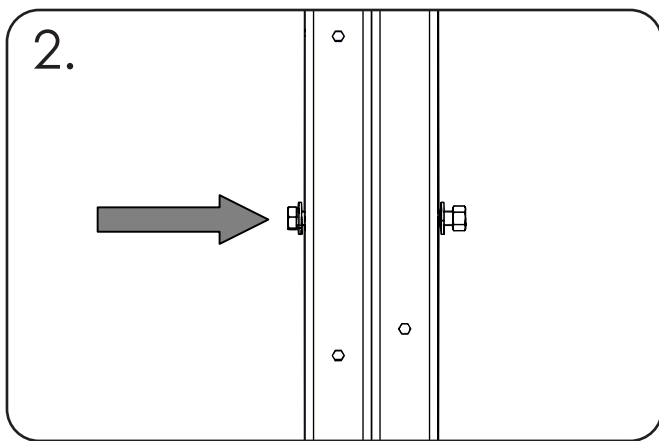
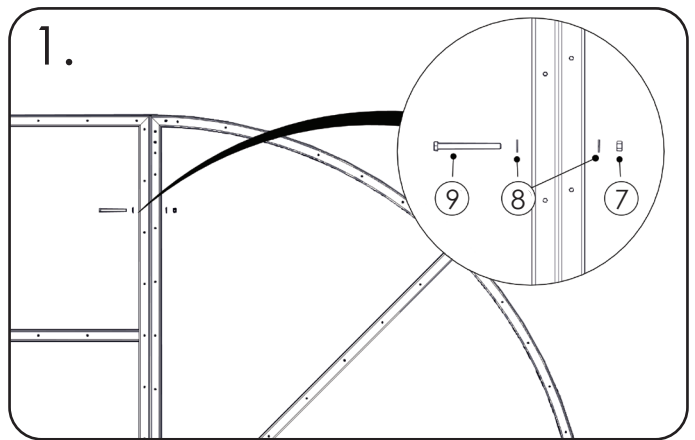
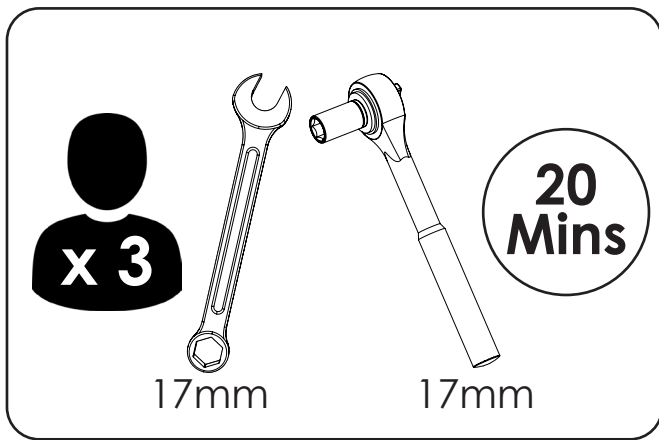
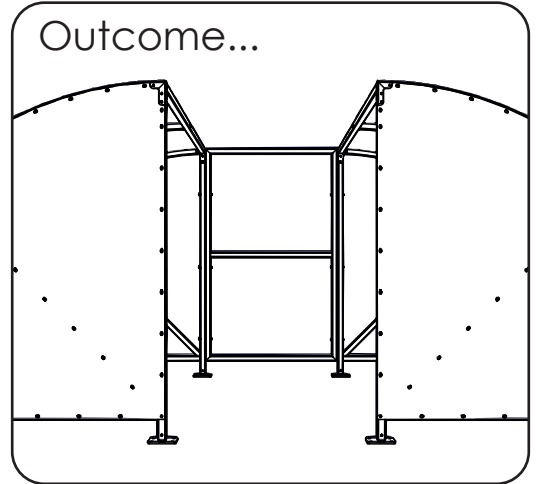
Fixing Hole Centres

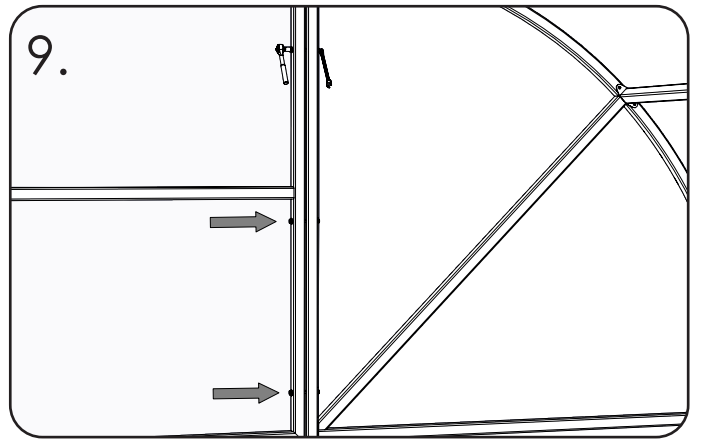
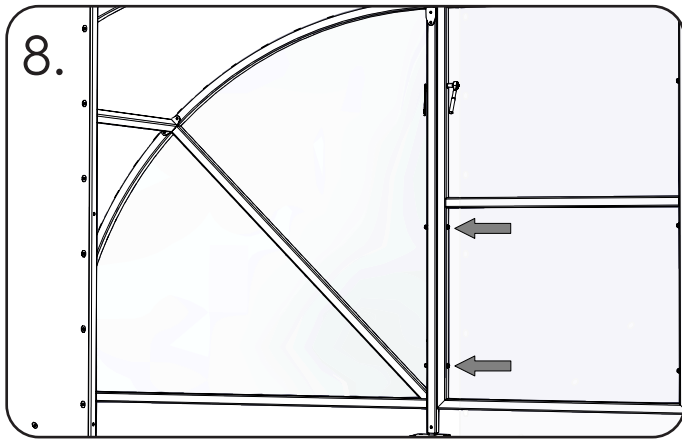
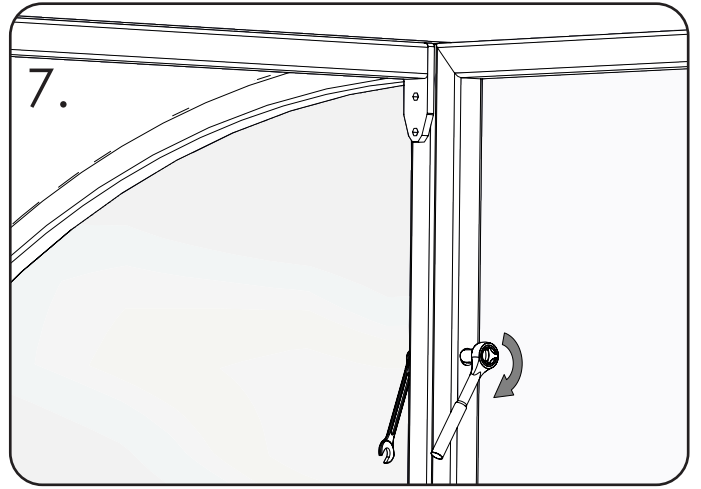
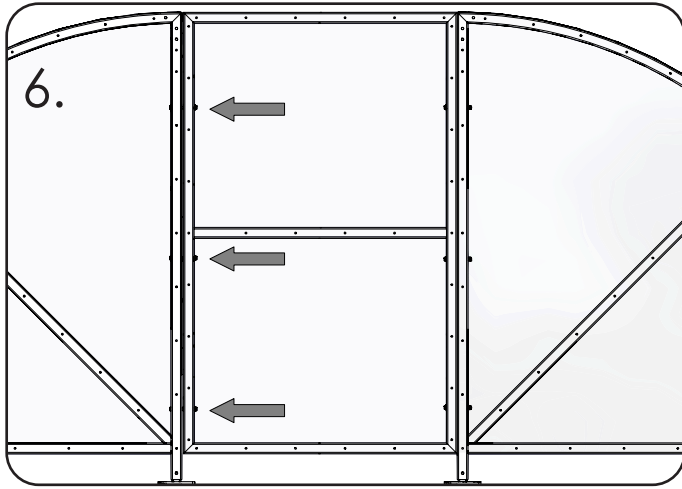


Fixed End Installation

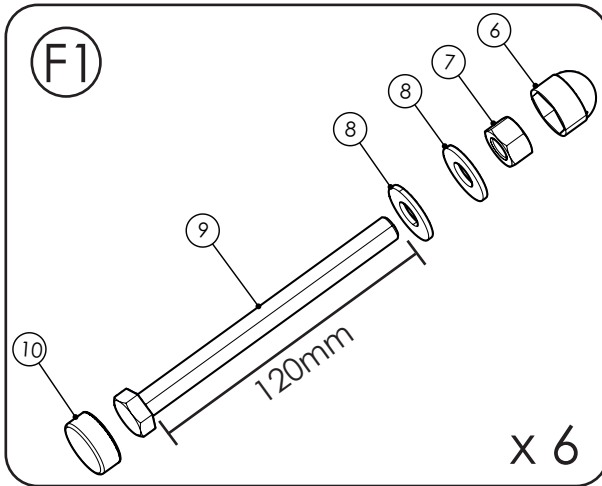


- 6 x 6
- 7 x 6
- 8 x 12
- 9 x 6
- 10 x 6

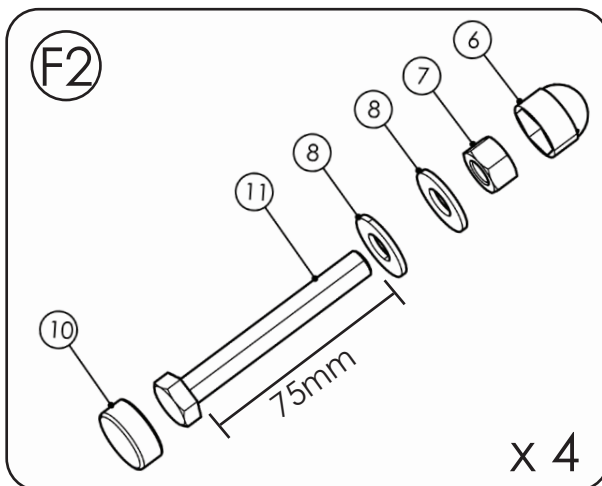
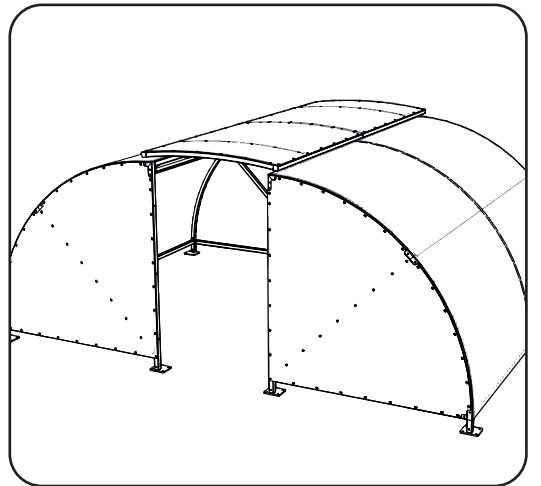




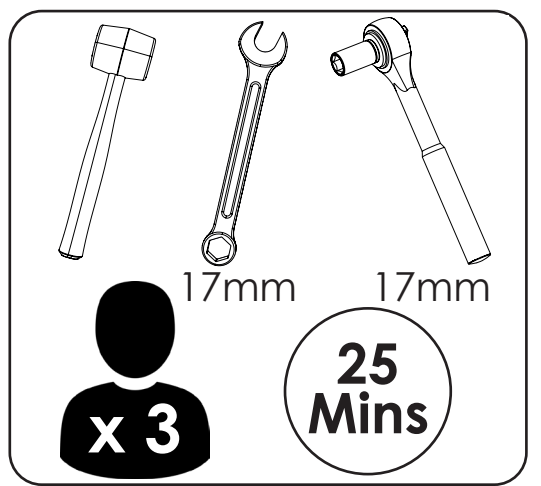
Roof Installation



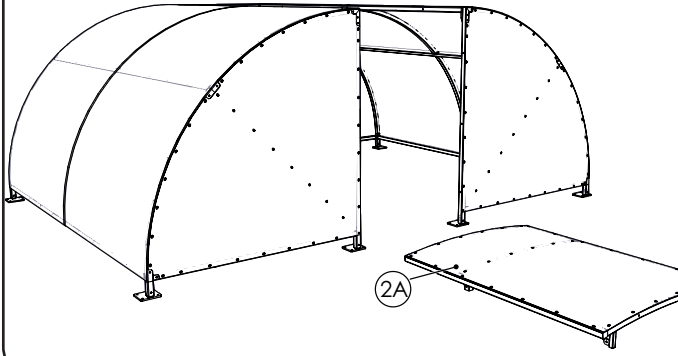
- (6) x 6
- (7) x 6
- (8) x 12
- (9) x 6
- (10) x 6



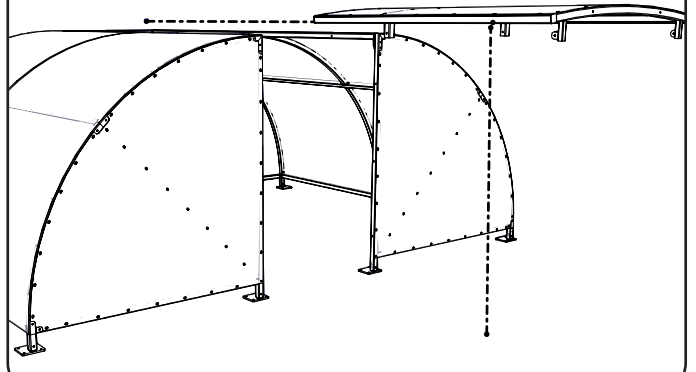
- (6) x 4
- (7) x 4
- (8) x 8
- (11) x 4
- (10) x 4



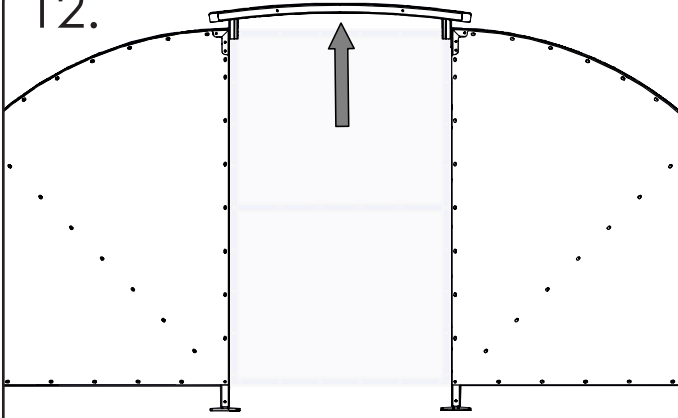
10.



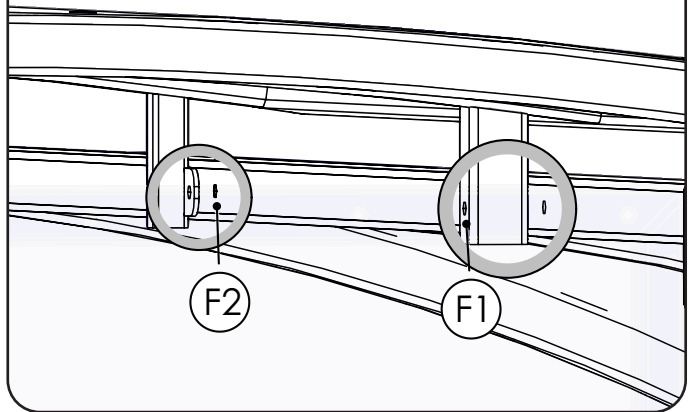
11.



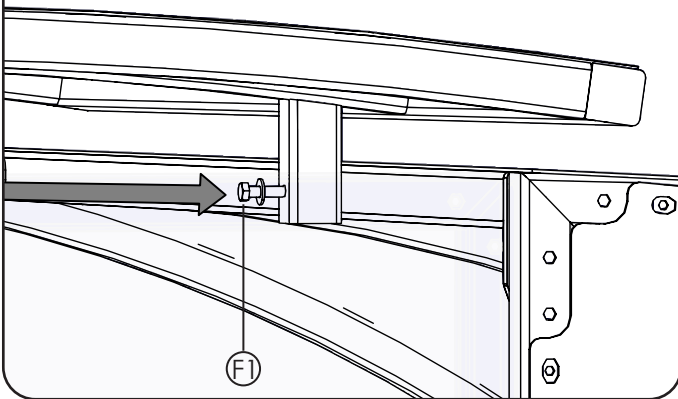
12.



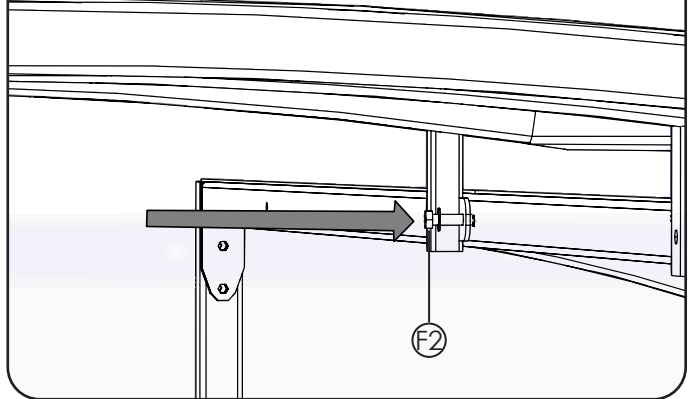
13.



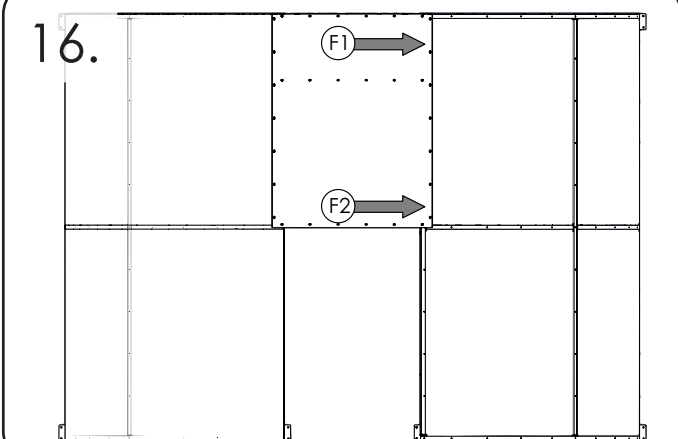
14.



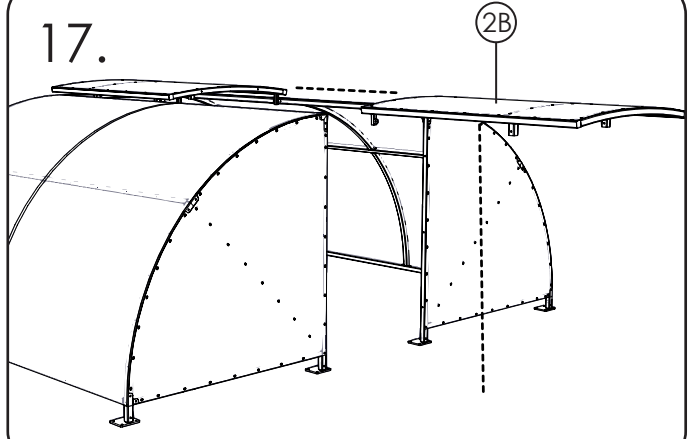
15.



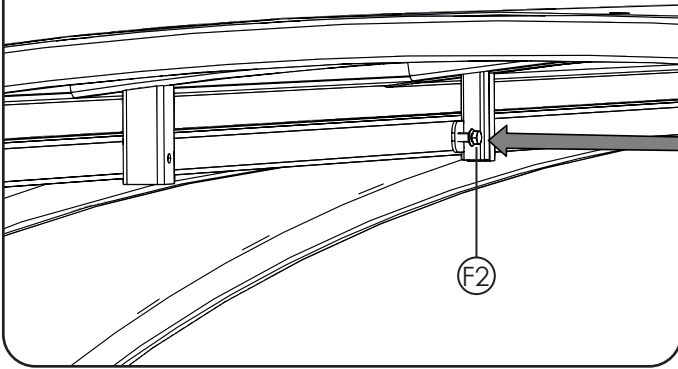
16.



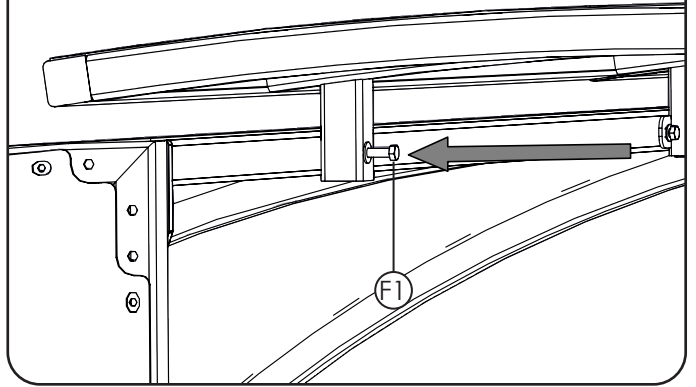
17.



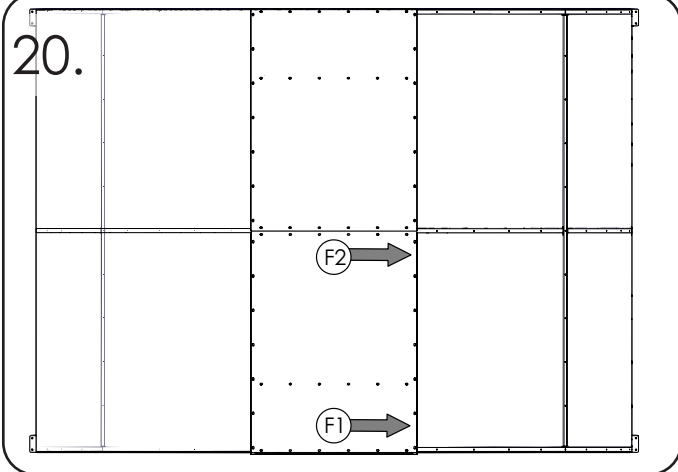
18.



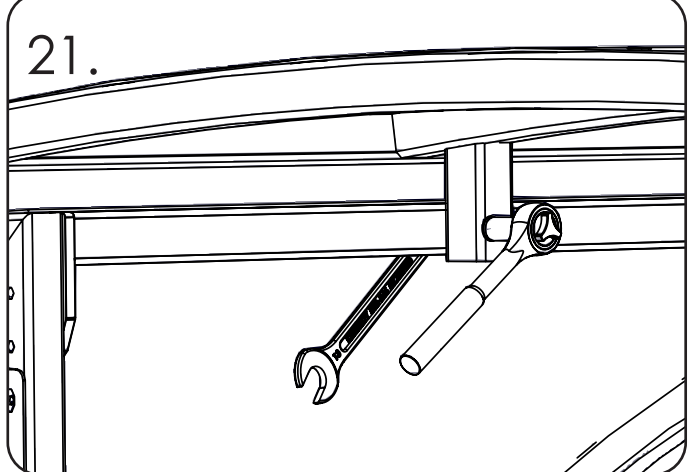
19.



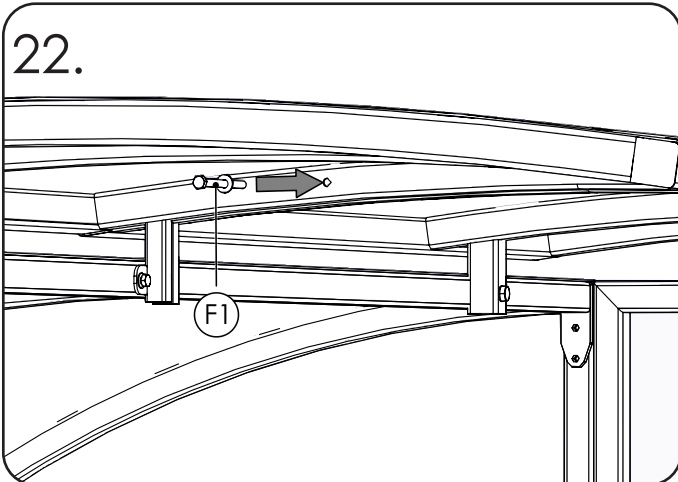
20.



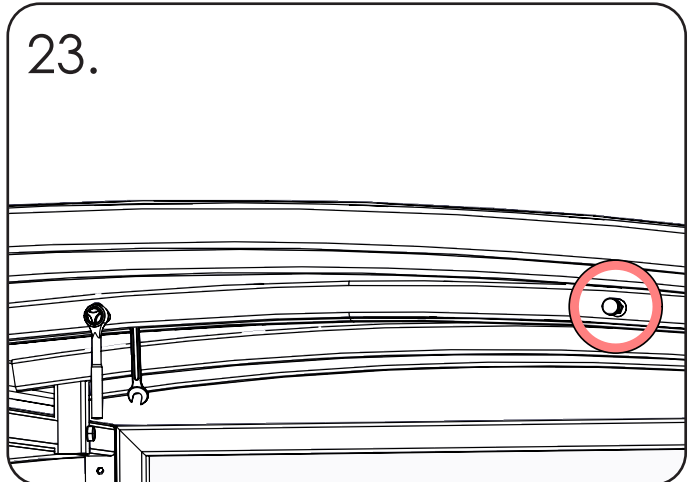
21.



22.

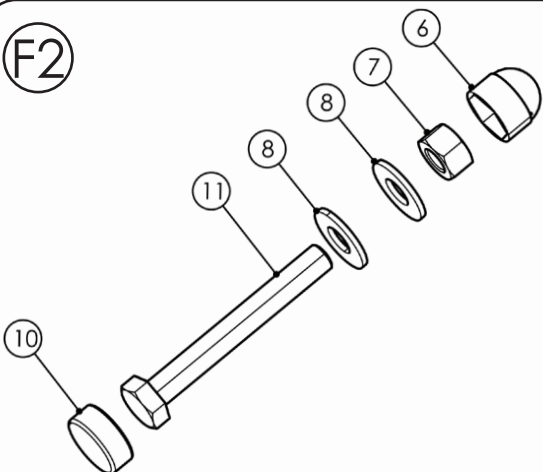


23.



Front Gate Installation

F2



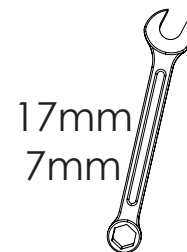
6 x 1

7 x 1

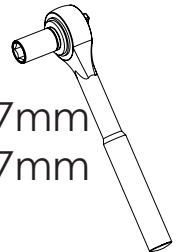
8 x 2

11 x 1

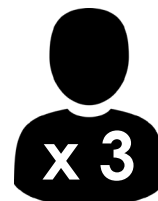
10 x 1



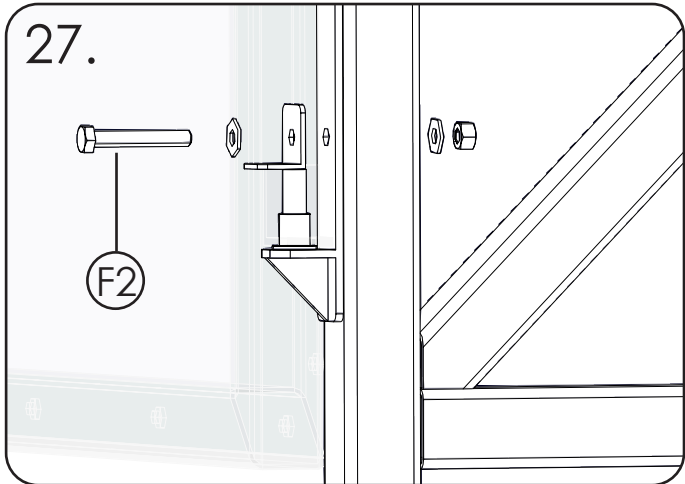
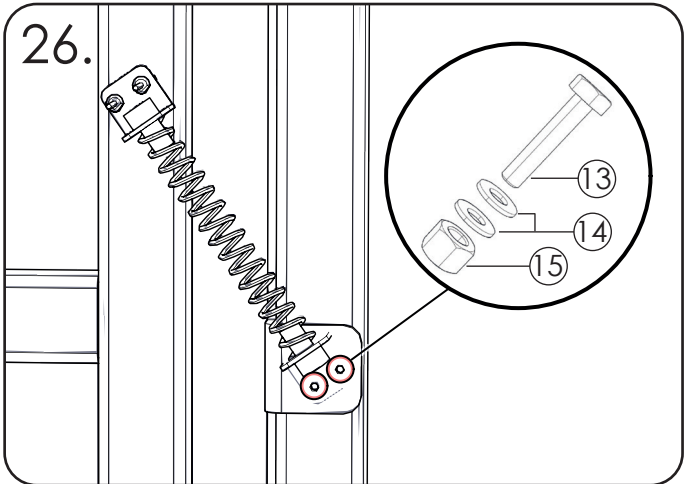
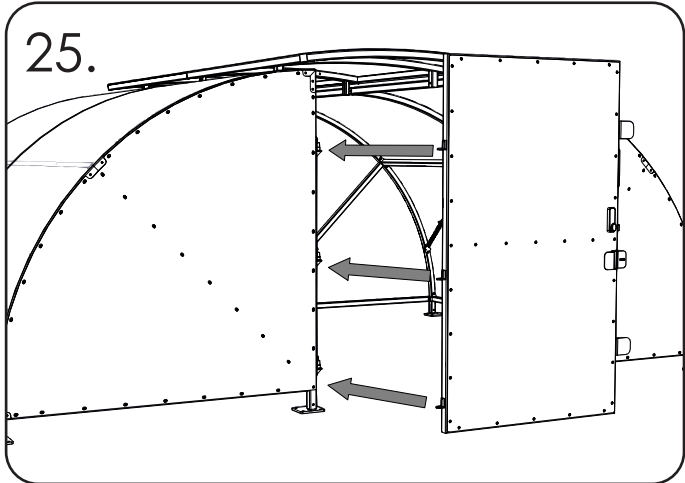
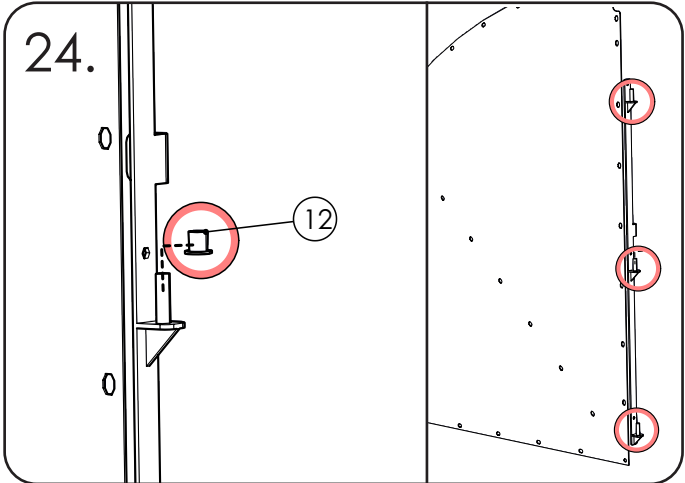
17mm
7mm



17mm
7mm

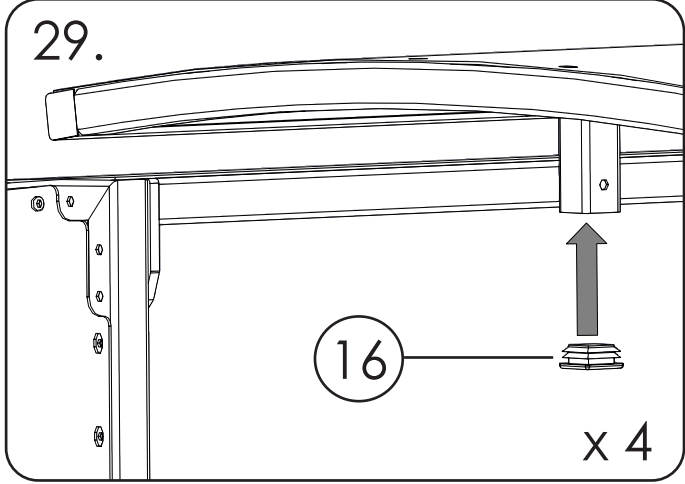
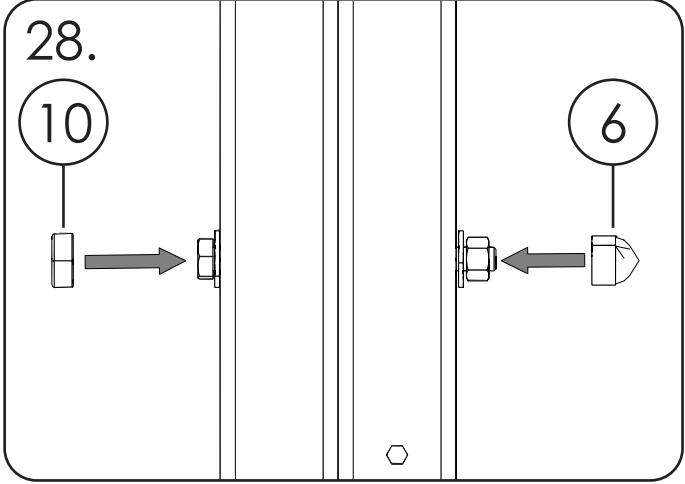


20
Mins




(13) x 2 (14) x 4 (15) x 2

Cover Caps



IMPORTANT NOTE: PLEASE ENSURE THAT ALL RELEVANT PERSONNEL READ THE POINTS LISTED WITHIN THIS LEAFLET AND THAT A COPY IS GIVEN TO STAFF INVOLVED WITH THE INSTALLATION AND MAINTENANCE OF THIS PRODUCT.
SAFETY NOTE: PLEASE REFER TO 'THE MANUAL HANDLING OPERATIONS REGULATIONS 1992' DURING HANDLING.

 **Glasdon** AND ECHELON™ ARE TRADEMARKS OR REGISTERED TRADEMARKS OF GLASDON GROUP OR ITS SUBSIDIARIES IN THE U.K. AND OTHER COUNTRIES

- A planned maintenance schedule or regular inspection is recommended, replacing components as necessary.
- Replacement components are available direct from GLASDON.
- GLASDON cannot be held responsible for claims arising from incorrect installation, unauthorised modifications or misuse of the product.

Stock No. C000/1035 - DWG No. 128112-28 Issue 1 - February 2020

© Copyright August 2019

Glasdon UK Ltd reserve the right to alter specifications without prior notice.

 **Glasdon®**
Glasdon U.K. Limited
Preston New Road
BLACKPOOL
Lancashire
FY4 4UL
Tel: (01253) 600410
Fax: (01253) 792558
e-mail: sales@glasdon-uk.co.uk
web: www.glasdon.com